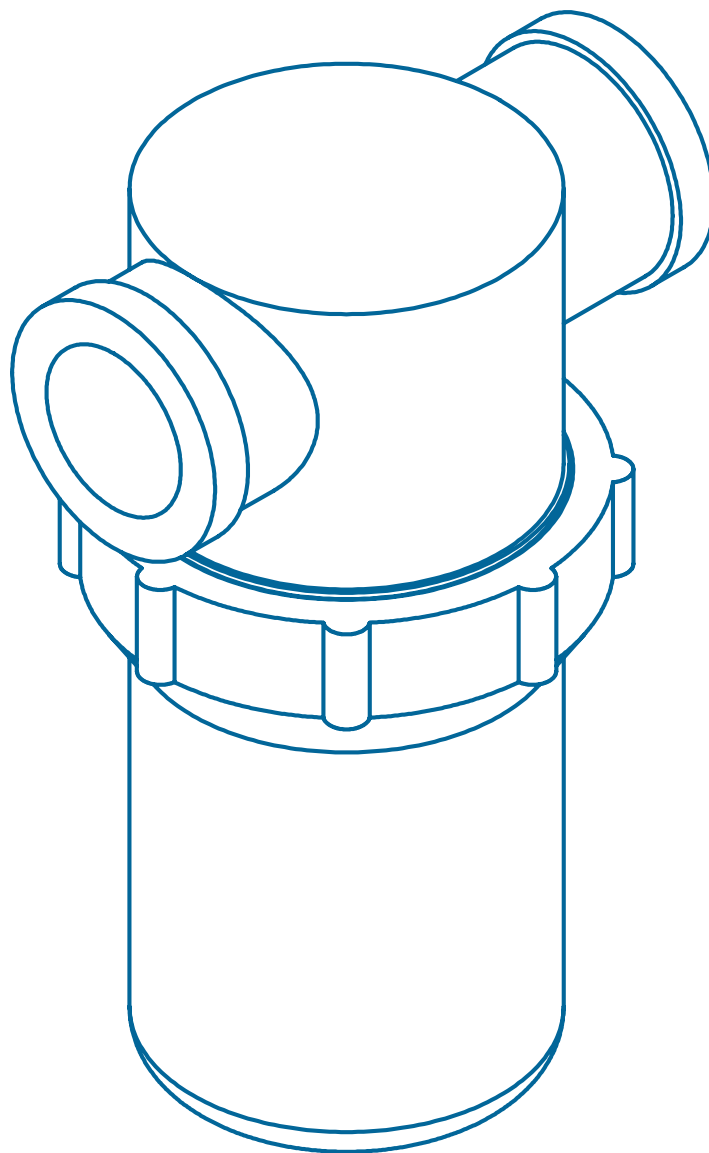
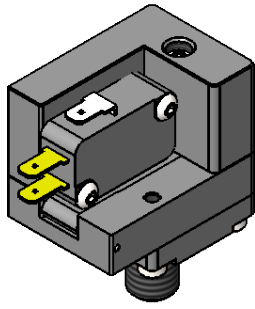


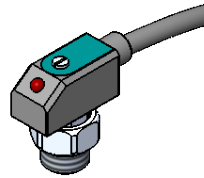
System Accessories

Section 5

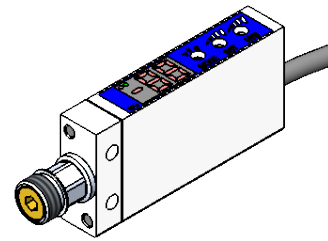




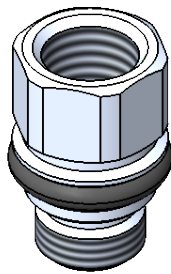
Mechanical Switches



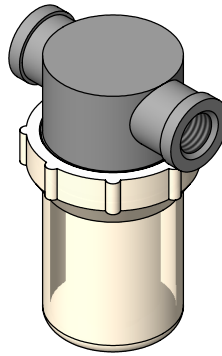
Electronic Sensors



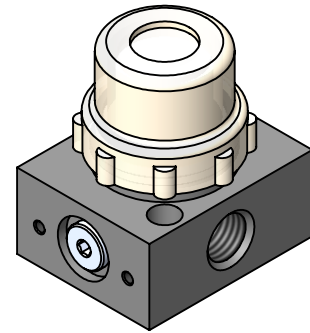
Digital Sensors



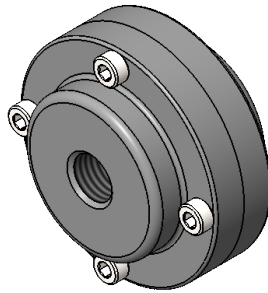
Vacuum Switch Protector



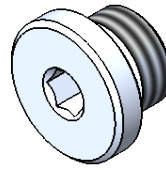
T-Style Filters



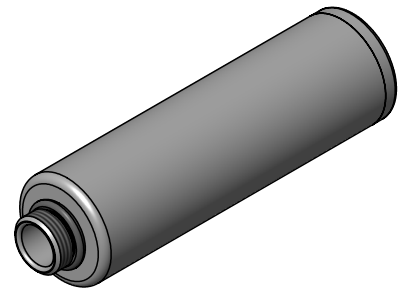
Aluminum Base Filters



Inline Filter



Pipe Plugs



Silencers

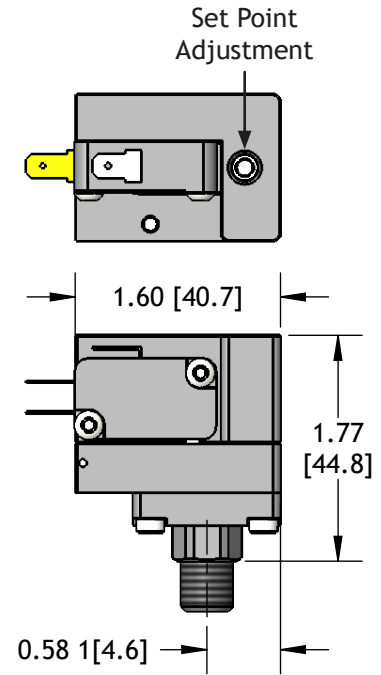
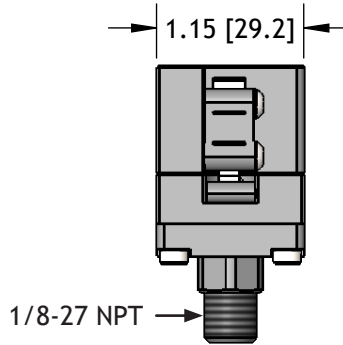
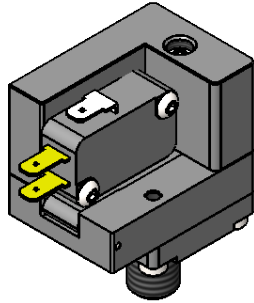
| | |
|-------------------------|----|
| Mechanical Switches | 3 |
| Electronic Sensors | 5 |
| Digital Sensors | 6 |
| Vacuum Switch Protector | 9 |
| T-Style Filters | 9 |
| Alumium Base Filters | 10 |
| Inline Filter | 12 |
| Pipe Plugs | 12 |
| Silencers | 13 |

Mechanical Pressure Switches

PSA18-E: Electrical Output

Electrical Pressure Sensors come with UL and CSA snap action, silver contact, SPDT (Single Pole Double Throw) switch with 0.187 in (4.75 mm) spade terminals. Triple terminal electrical connector and insulator kit for attaching wires is included.

Construction: aluminum housing, stainless steel spring and fasteners, nylon reinforced Nitrile diaphragm

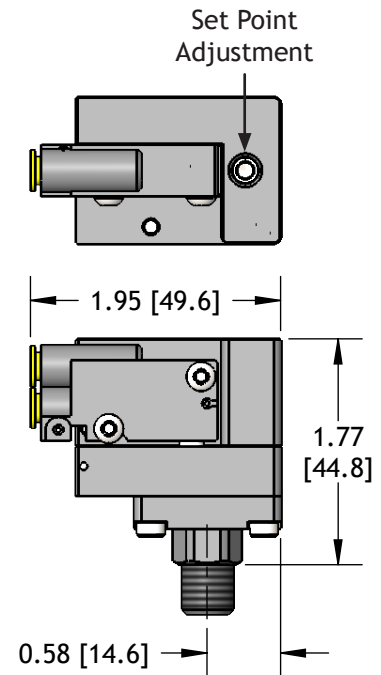
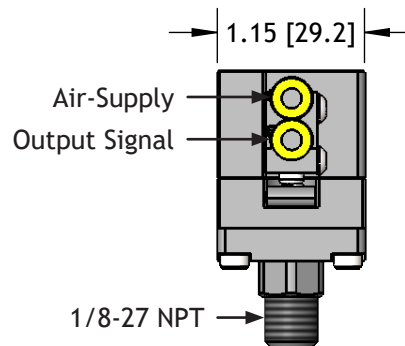
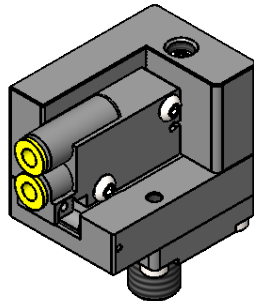


PSA18-NOP / PSA18-NCL: Pneumatic Output

Pneumatic Pressure Sensors are available in normally-closed (NCL) and normally-open (NOP) versions. Normally-closed (NCL) sensors open to pass air when the desired set point is achieved. Normally-open (NOP) sensors close to block air when the desired set point is achieved. Both versions have integral 5/32 in (4 mm) tube connectors.

Construction: aluminum housing, stainless steel spring and fasteners, nylon reinforced Nitrile diaphragm

Port 1- Air Supply
Port 2 - Output Signal



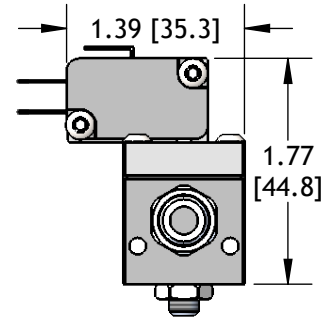
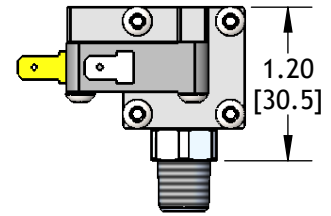
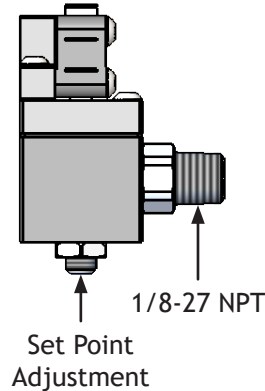
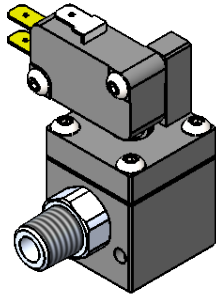
| | |
|----------------------------|---|
| Pressure Adjustment Range: | 10 to 140 psi [0.69 to 9.65 bar] |
| Temperature Range: | -20°F to 140°F [-29°C to 60°C] |
| Electrical: | 5 Amp @ 125 V AC, 250 V AC Max |
| Air Valve: | 20 to 115 psi [1.4 to 7.9 bar]; Cv = 0.06; 2.5 SCFM [71 NI/m] |
| Weight: | 3.20 oz [90.7 g] |

Mechanical Vacuum Switches

VSA18-E: Electrical Output

Electrical Vacuum Sensors come with UL and CSA snap action, silver contact, SPDT (Single Pole Double Throw) switch with 0.187 in (4.75 mm) spade terminals. Triple terminal electrical connector and insulator kit for attaching wires is included.

Construction: aluminum housing, stainless steel spring and fasteners, nylon reinforced Nitrile diaphragm

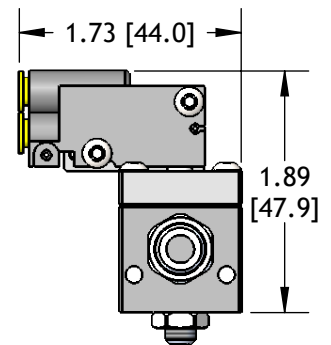
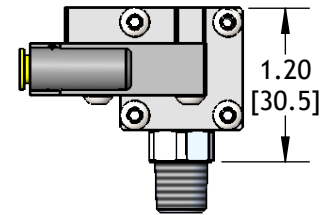
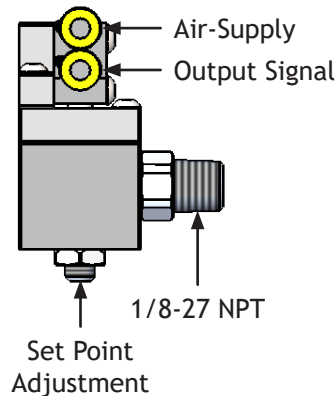
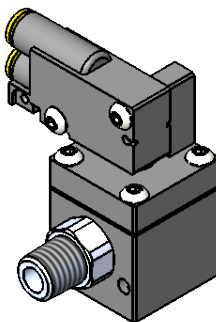


VSA18-NOP / VSA18-NCL: Pneumatic Output

Pneumatic Vacuum Sensors are available in normally-closed (NCL) and normally-open (NOP) versions. NCL sensors are open to pass air when the desired set point is achieved. NCL sensors close to block air when the desired set point is achieved. Both versions have integral 5/32 in (4 mm) tube connectors.

Construction: aluminum housing, stainless steel spring and fasteners, nylon reinforced Nitrile diaphragm

Port 1- Air Supply
Port 2 - Output Signal

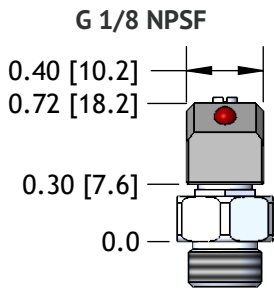
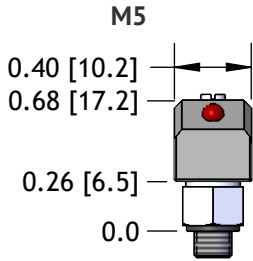
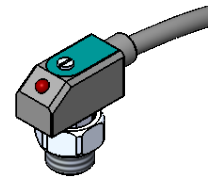


| | |
|--------------------------|---|
| Vacuum Adjustment Range: | -8 to -28 inHG [-27.1 to 94.8 kPa] |
| Temperature Range: | -20°F to 140°F [-29°C to 60°C] |
| Electrical: | 5 Amp @ 125 V AC, 250 V AC Max |
| Air Valve: | 20 to 100 psi [1.4 to 6.9 bar]; Cv = 0.06; 2.5 SCFM [71 NI/m] |
| Weight: | 2.10 oz [59.0 g] |

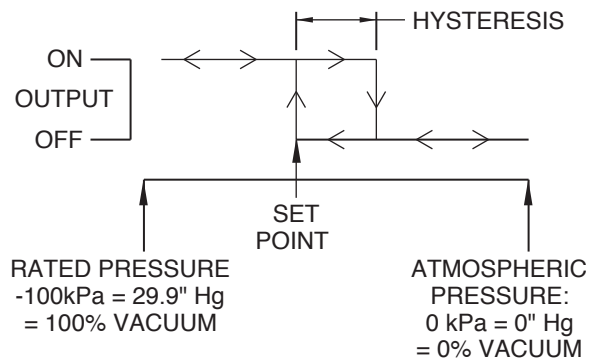
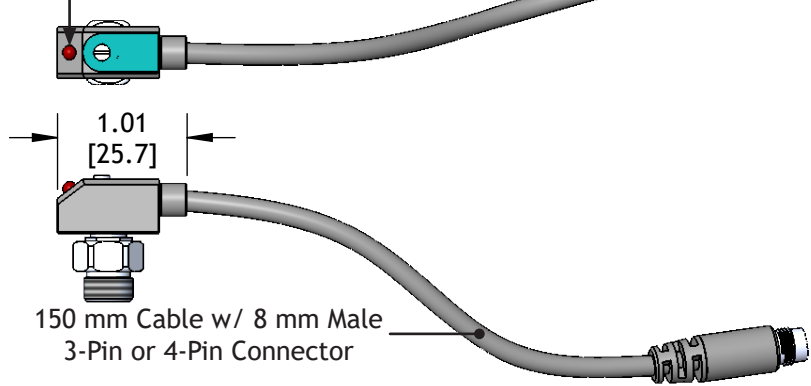
V-Style Electronic Sensors

| Output | | Connector | Mounting Thread | |
|----------------|--------|-----------|-----------------|---------------------|
| V | P | - 4 | -18M | |
| A ¹ | Analog | 3 3-Pin | (Blank) | M5X0.8 Male (10-32) |
| N | NPN | 4 4-Pin | -18M | G 1/8-27 NPSF Male |
| P | PNP | | | |

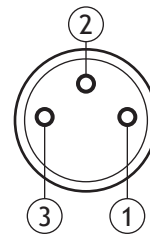
¹3-Pin Only



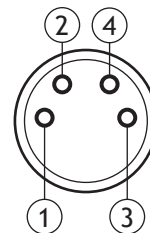
Output LED



| | |
|------------------------|---|
| Media: | Non-Lubricated Air, Non-Corrosive Gas |
| Maximum Pressure: | 29 psi [200 kPa] |
| Rated Pressure Range: | 0 to -29.5 inHG [0 to 100 kPa] |
| Operating Pressure: | 14°F to 122°F [-10°C to 60°C] |
| Storage Temperature: | -4°F to 158°F [-20°C to 70°C] |
| Humidity: | 35% to 85% RH |
| Electrical Connection: | -3 = 3-Pin Pico 8 mm Connector -4 = 4-Pin Pico 8 mm Connector |
| Operating Voltage: | 10.8 to 30 V DC (including ripple) |
| Current Consumption: | 20 mA Max |
| Display: | Red LED |
| Circuit: | Analog, NPN, PNP |
| Setting Accuracy: | ±3% F.S. Max |
| Hysteresis: | Fixed, 2% F.S. Max |
| Switching Capacity: | 30 V DC, 80 mA Max |
| Response Time: | Approximately 1 ms |
| Vibration: | 10 to 55 Hz 1.5 mm Max, XYZ for 2 hours |
| Shock: | 1,000 m/s ² , XYZ |
| Insulation Resistance: | 100 M Ω Min |
| Dielectric Strength: | 500 V AC for 1 Minute |
| Analog Output Voltage: | 0 inHG [0 kPa] = 1 ± 0.04 V DC -29.5 inHG [-100 kPa] = 5 ± 0.04 V DC |
| NPN Output Voltage | 0.8 V DC Max |
| PNP Output Voltage: | 1.8 V DC Max |



- 1. Brown (+)
- 2. Black (OUT)
- 3. Blue (-)



- 1. Brown (+)
- 2. White (not used)
- 3. Blue (-)
- 4. Black (OUT)

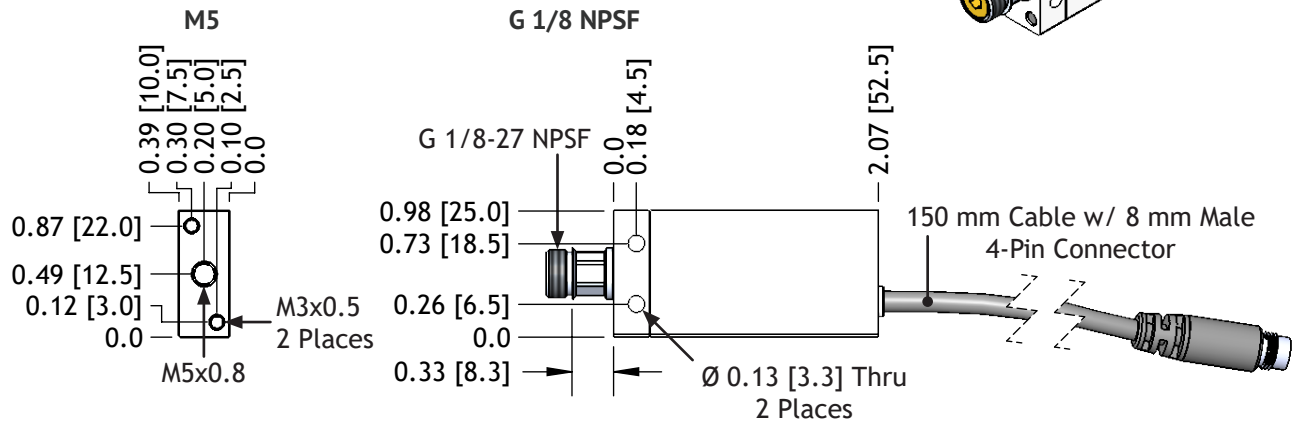
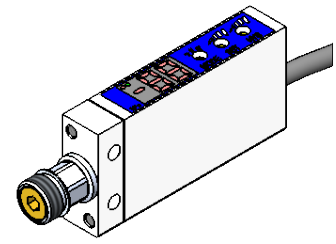
Order Cables Separately

| Part Number | Description |
|-------------|-----------------------------|
| 3QD2 | 3-Pin Quick Disconnect, 2 M |
| 3QD5 | 3-Pin Quick Disconnect, 5 M |
| 4QD2 | 4-Pin Quick Disconnect, 2 M |
| 4QD5 | 4-Pin Quick Disconnect, 5 M |

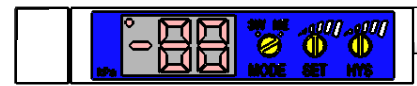
Full data sheet with specs, wiring diagram, and operation procedures available at www.edcousa.net.

61 Series Electronic Sensors

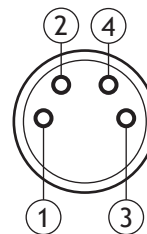
| | | | | | |
|--------|-----|--------|-------------------|-----------------|-----------------------|
| Output | | Output | | Mounting Thread | |
| DV | P | 61 | | 18M | |
| N | NPN | 61 | 1 Output + Analog | 5F | M5x0.8 Female (10-32) |
| P | PNP | | | 18M | G 1/8-27 NPSF Male |



| | |
|--------------------------------|---|
| Media: | non-lubricated air, non-corrosive gas |
| Maximum Pressure: | 29 psi [200 kPa] |
| Rated Pressure Range: | 0 to -29.5 inHG [0 to 100 kPa] |
| Operating Pressure: | 14°F to 140°F [-10°C to 60°C] |
| Storage Temperature: | -4°F to 158°F [-20°C to 70°C] |
| Humidity: | 35% to 85% RH |
| Electrical Connection: | 4-Pin Pico 8 mm Male Connector |
| Operating Voltage: | 10.8 to 26.4 V DC (including ripple) |
| Current Consumption: | 35 mA Max |
| Display: | 2 Digit, 7 Segment Red LED |
| Rated Display: | 0 to 99 |
| Units: | Percent Vacuum [kPa] |
| Output Display: | Set (1) - Red LED; Set 2 - Green LED |
| Display Cycle: | 4 Hz |
| Resolution: | ±1 Count |
| Setting Accuracy: | ±3% F.S. Max |
| Hysteresis: | 61 - Adjustable Approx 0% to 15% F.S. 62 - Fixed 2% F.S. Max |
| Switching Capacity: | 30 V DC, 80 mA Max |
| Response Time: | Approximately 2 ms |
| Vibration: | 10 to 55 Hz 1.5 mm Max, XYZ for 2 hours |
| Shock: | 196 m/s ² , XYZ |
| Insulation Resistance: | 100 M Ω Min |
| Dielectric Strength: | 500 V AC for 1 Minute |
| Analog Output Voltage: | 0 inHG [0 kPa] = 1 ± 0.1 V DC -29.5 inHG [-100 kPa] = 5 ± 0.2 V DC |
| Analog Output Current: | 1 mA Max |
| Analog Hysteresis / Linearity: | ±0.5% F.S. |
| NPN Output Voltage | 0.8 V DC Max |
| PNP Output Voltage: | 1.2 V DC Max |
| Thermal Error: | ±0.1% F.S. / °C Max in range of 32°F to 122°F [0°C to 50°C] |



Red LED Output



1. Brown (+)
2. White (OUT ANALOG)
3. Blue (-)
4. Black (OUT1)

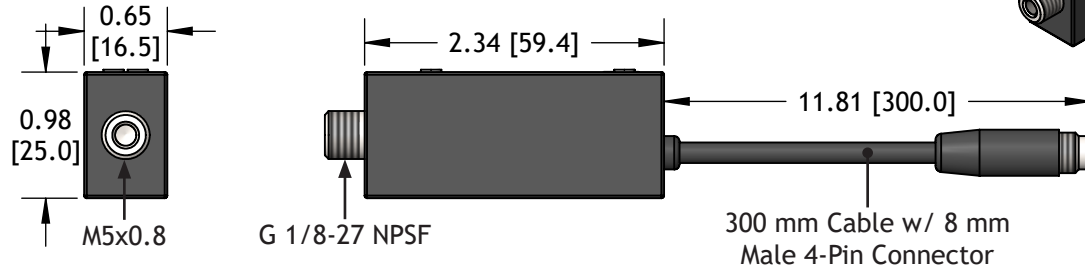
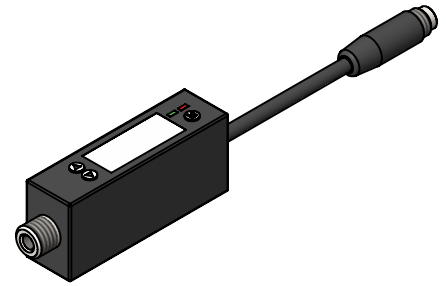
Order Cables Separately

| Part Number | Description |
|-------------|-----------------------------|
| 4QD2 | 4-Pin Quick Disconnect, 2 M |
| 4QD5 | 4-Pin Quick Disconnect, 5 M |

Full data sheet with specs, wiring diagram, and operation procedures available at www.edcousa.net.

100 Series Digital Sensors

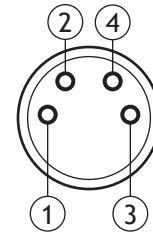
| | | |
|--------|-----|------|
| Output | | |
| DV | N | -100 |
| N | NPN | |
| P | PNP | |



| | DVN-100 | DVP-100 |
|----------------------------------|---|---|
| Rated Pressure Range: | -29.5 ~ 29.5 inHG | |
| Setting Pressure Range: | -29.5 ~ 29.5 inHG | |
| Withstand Pressure: | 88.6 inHG | |
| Fluid: | filtered air, non-corrosive / non-flammable gases | |
| Set Pressure Resolution: | kPa | 0.1 |
| | kgf/cm ² | 0.001 |
| | bar | 0.001 |
| | psi | 0.01 |
| | inHg | 0.1 |
| | mmHg | 1 |
| | mmH ₂ O | 0.1 |
| Power Supply Voltage: | 12 to 24 V DC ± 10%, ripple (P-P) 10% or less | |
| Current Consumption: | ≤ 55mA | |
| Switch Output: | NPN: open collector 2 outputs max. load current: 100mA max. supply voltage: 30 V DC residual voltage: ≤ 1V | PNP: open collector 2 outputs max. load current: 100mA max. supply voltage: 24 V DC residual voltage: ≤ 1V |
| Repeatability (Switch Output): | ± 0.2% F.S. ± 1 digit | |
| Hysteresis: | Hysteresis Mode: | adjustable |
| | Window Comparator Mode: | fixed (3 digits) |
| Response Time: | ≤ 2.5 ms (chattering-proof function: 24 ms, 192 ms and 768ms selections) | |
| Output Short Circuit Protection: | yes | |
| 7 Segment LED Display: | 3 1/2 digit LED display (sampling rate: 5 times / 1 sec) | |
| Indicator Accuracy: | ± 2% F.S. ± 1 digit (ambient temperature 25 ± 3° C) | |
| Indicator: | OUT 1 = green, OUT 2 = red | |
| Environment: | Enclosure: | IP40 |
| | Ambient Temp. Range: | operation: 0 ~ 50° C, storage: -20 ~ 60° C (no condensation or freezing) |
| | Ambient Humidity Range: | operation / storage: 35 ~ 85% RH (no condensation) |
| | Withstand Voltage: | 1,000 V AC in 1-min (between case and lead wire) |
| | Insulation Resistance: | 50 MΩ (at 500 v DC, between case and lead wire) |
| | Vibration: | total amplitude 1.5mm, 10 Hz scan for 1 minute, 2 hours each direction of x, y, and z |
| Shock: | 980m/s ² (100 G), 3 times each in direction of x, y, and z | |
| Temperature Characteristic: | ± 2% F.S. of detected pressure (25°C) at temp. rang of 0 ~ 50°C | |
| Port Size: | G 1/8-27 NPS male, M5 female | |
| Lead Wire: | oil-resistant cable (0.15mm ²) | |
| Weight: | approximately 35g (with M8, 4-pin male connector) | |



Switch OUT1 (Green LED)
Switch OUT2 (Red LED)



- 1. Brown (+)
- 2. White (OUT2)
- 3. Blue (-)
- 4. Black (OUT1)

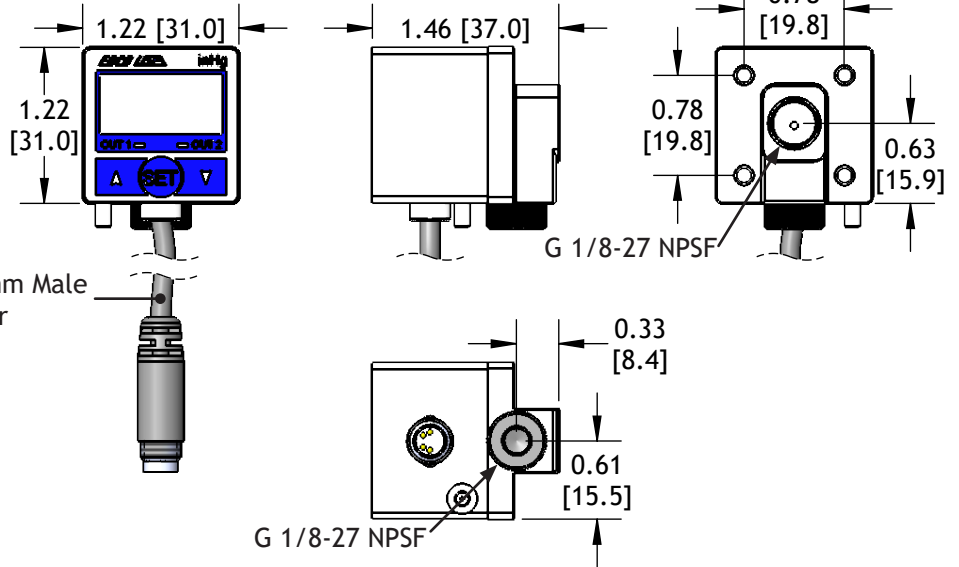
Order Cables Separately

| Part Number | Description |
|-------------|-----------------------------|
| 4QD2 | 4-Pin Quick Disconnect, 2 M |
| 4QD5 | 4-Pin Quick Disconnect, 5 M |

Full data sheet with specs, wiring diagram, and operation procedures available at www.edcousa.net.

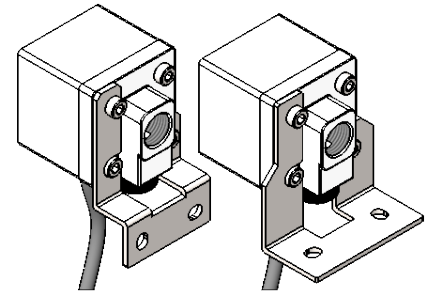
200 Series Digital Sensors

| Style | | Output | |
|-------|----------|--------|------|
| D | V | N | -200 |
| V | Vacuum | N | NPN |
| P | Pressure | P | PNP |

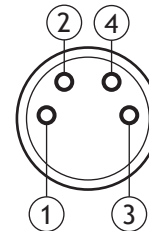


150 mm Cable w/ 8 mm Male 4-Pin Connector

| | DV_-200 | DP_-200 |
|----------------------------------|--|--|
| Rated Pressure Range: | 0 ~ 29.5 inHg | 0 ~ 145.0 psi |
| Setting Pressure Range: | 3.0 ~ 29.9 inHg | -14.5 ~ 145.0 psi |
| Withstand Pressure: | 29.0 psi | 200.0 psi |
| Fluid: | filtered air, non-corrosive / non-flammable gases | |
| Set Pressure Resolution: | kPa | 0.1 |
| | mPa | - |
| | kgf/cm ² | 0.001 |
| | bar | 0.001 |
| | psi | 0.01 |
| | inHg | 0.1 |
| | mmHg | 1 |
| | mmH ₂ O | 0.1 |
| Power Supply Voltage: | 12 to 24 V DC ± 10%, ripple (P-P) 10% or less | |
| Current Consumption: | ≤ 55mA | |
| Switch Output: | NPN: open collector 2 outputs max. load current: 80mA max. supply voltage: 30 V DC residual voltage: ≤ 1V | PNP: open collector 2 outputs max. load current: 80mA max. supply voltage: 24 V DC residual voltage: ≤ 1V |
| Repeatability (Switch Output): | ± 0.2% F.S. ± 1 digit | |
| Hysteresis: | Hysteresis Mode: | adjustable |
| | Window Comparator Mode: | fixed (3 digits) |
| Response Time: | ≤ 2.5 ms (chattering-proof function: 24 ms, 192 ms and 768ms selections) | |
| Output Short Circuit Protection: | yes | |
| 7 Segment LED Display: | 3 1/2 digit LED display (sampling rate: 5 times / 1 sec) | |
| Indicator Accuracy: | ± 2% F.S. ± 1 digit (ambient temperature 25 ± 3° C) | |
| Indicator: | OUT 1 = green, OUT 2 = red | |
| Environment: | Enclosure: | IP65 |
| | Ambient Temp. Range: | operation: 0 ~ 50°C, storage: -20 ~ 60°C (no condensation or freezing) |
| | Ambient Humidity Range: | operation / storage: 35 ~ 85% RH (no condensation) |
| | Withstand Voltage: | 1,000 V AC in 1-min (between case and lead wire) |
| | Insulation Resistance: | 50 MΩ (at 500 V DC, between case and lead wire) |
| | Vibration: | total amplitude 1.5mm, 10 Hz - 55 Hz - 10 Hz scan for 1 minute, 2 hours each direction of x, y, and z |
| Shock: | 980m/s ² (100 G), 3 times each in direction of x, y, and z | |
| Temperature Characteristic: | ± 2% F.S. of detected pressure (25°C) at temp. rang of 0 ~ 50°C | |
| Port Size: | G 1/8-27 NPS female | |
| Lead Wire: | oil-resistant cable (0.15mm ²) | |
| Weight: | approximately 71 g (with M8, 4-pin male connector) | |



BT200-A
Optional Mounting Brackets



1. Brown (+)
2. White (OUT2)
3. Blue (-)
4. Black (OUT1)

Order Cables Separately

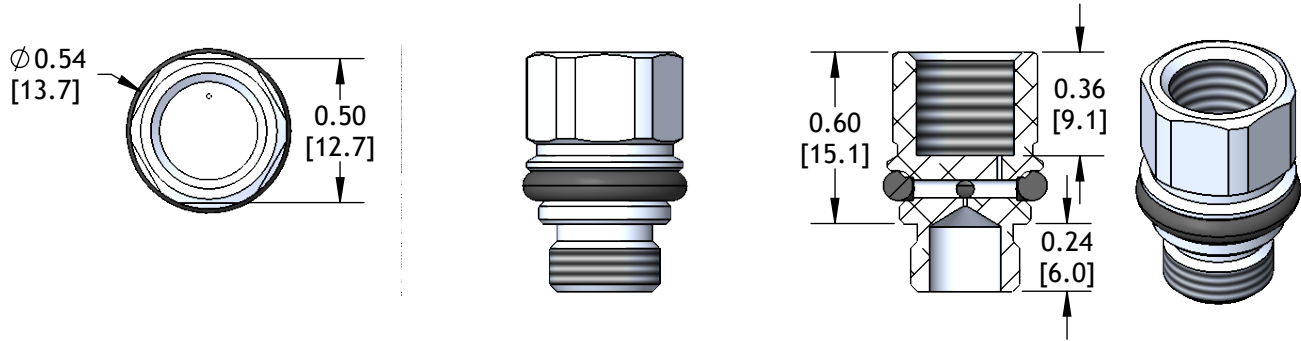
| Part Number | Description |
|-------------|-----------------------------|
| 4QD2 | 4-Pin Quick Disconnect, 2 M |
| 4QD5 | 4-Pin Quick Disconnect, 5 M |

Full data sheet with specs, wiring diagram, and operation procedures available at www.edcousa.net.

VSP-18: Vacuum Switch Protector

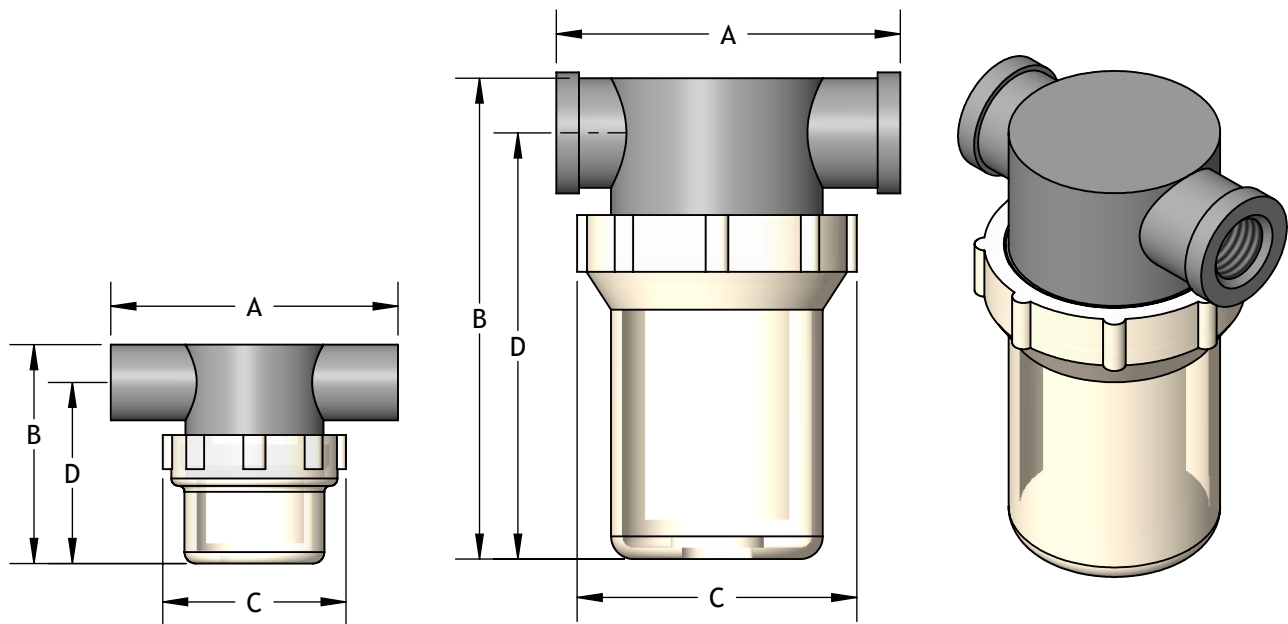
Bi-directional VSP-18 protects vacuum switches or gauges from positive pressure spikes by relieving pressure in excess of 10 psi [0.7 bar] to atmosphere.

Connects to 1/8-27 NPSF or G 1/8-28 threads.



T-Style Vacuum Filters

Our T-Style Vacuum Filters are made of rugged nylon body with a transparent nylon bowl for checking the condition of the filter at a glance. HDPE filter elements can be easily and quickly replaced without disturbing the system plumbing. T-Style Vacuum Filters are rated for full vacuum or pressure up to 150 psi.



| Part Number | Ports | A in [mm] | B in [mm] | C in [mm] | D in [mm] | Weight lb [g] | Filter Element (3 Pack) |
|-------------------------|------------------|--------------|--------------|--------------|--------------|------------------|----------------------------|
| PPSF125X10 | 1/8 NPT Female | 3.06 [77.7] | 2.42 [61.5] | 1.86 [47.2] | 1.98 [50.3] | 0.13 [59.0] | PPX10RE3 |
| PPSF250X10 | 1/4 NPT Female | 3.06 [77.7] | 2.42 [61.5] | 1.86 [47.2] | 1.98 [50.3] | 0.11 [49.9] | PPX10RE3 |
| PPSF250MX10 | 1/4 NPT Male | 3.06 [77.7] | 2.42 [61.5] | 1.86 [47.2] | 1.98 [50.3] | 0.11 [49.9] | PPX10RE3 |
| PPSF375X10 | 3/8 NPT Female | 3.06 [77.7] | 2.42 [61.5] | 1.86 [47.2] | 1.98 [50.3] | 0.16 [72.6] | PPX10RE3 |
| PPSF500X35 | 1/2 NPT Female | 3.64 [92.5] | 5.35 [136.0] | 2.95 [74.9] | 4.80 [122.0] | 0.37 [168.0] | PPX35RE3 |
| PPSF750X35 ¹ | 3/4 NPT Female | 3.60 [91.4] | 5.40 [137.2] | 2.93 [74.4] | 4.68 [118.7] | 0.40 [181.0] | PPX35RE3 |
| PPSF100X50 ¹ | 1 NPT Female | 4.62 [117.0] | 6.36 [162.0] | 4.00 [102.0] | 5.60 [146.0] | 0.94 [426.0] | PPX50RE3 |
| PPSF150X75 | 1-1/2 NPT Female | 5.16 [131.0] | 8.10 [206.0] | 4.00 [102.0] | 6.93 [176.0] | 1.18 [535.0] | PPX75RE3 |

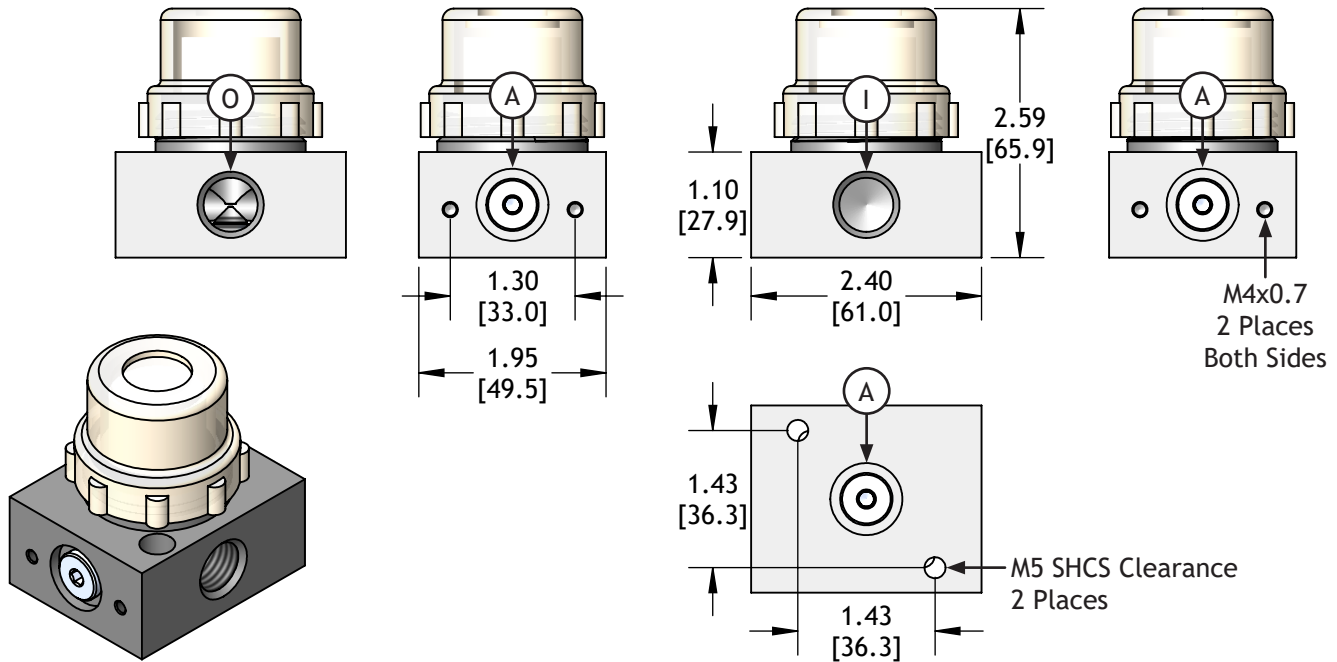
¹These sizes are available in polypropylene. Add suffix -PP for polypropylene body and bowl. Bowl will be opaque, NOT transparent.

Aluminum Base Filters

EDCO aluminum base filters work in the same way as our t-style filters. An aluminum base allows for easy mounting of the filter. A clear, nylon bowl allows for quick inspection of the HDPE filter element. When it's time to change the element, the bowl can easily be removed to replace the filter very quickly. We stock standard replacement bowls, gaskets, and filter elements. Optional mounting plates are offered for applications where mounting via the bottom face is not desired.

ASF375X10: Aluminum Base Filter, 3/8 NPTF

Replacement Filter Elements: PPX10RE3

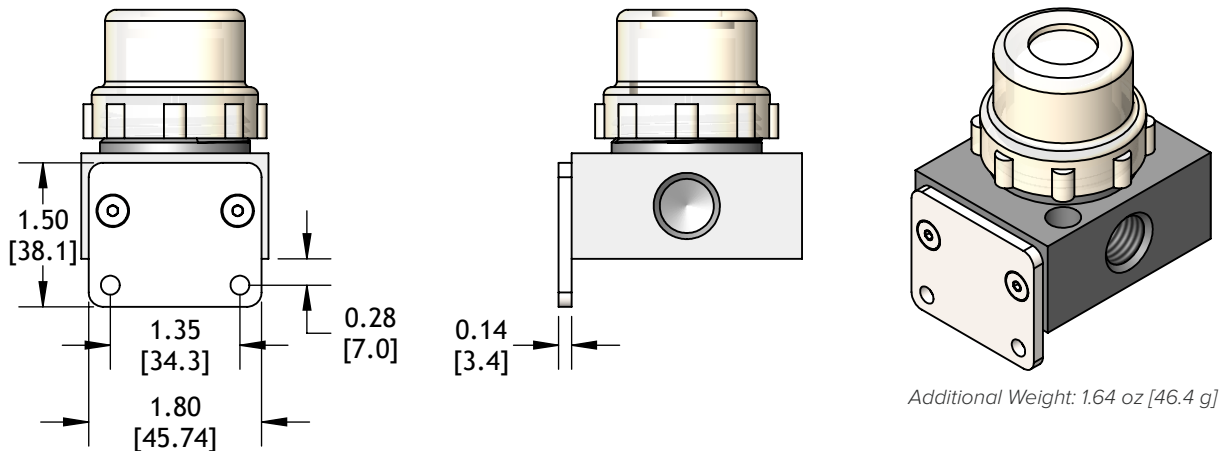


Weight: 8.22 oz [233.0 g]

| Code | Function | Ports |
|------|---------------------|------------|
| I | Flow In | 3/8 NPTF |
| O | Flow Out | 3/8 NPTF |
| A | Auxiliary / Monitor | G 1/8 NPSF |

ASF-X10-K: Mounting Kit

Optional mounting kit includes a steel bracket and two flat head cap screws.

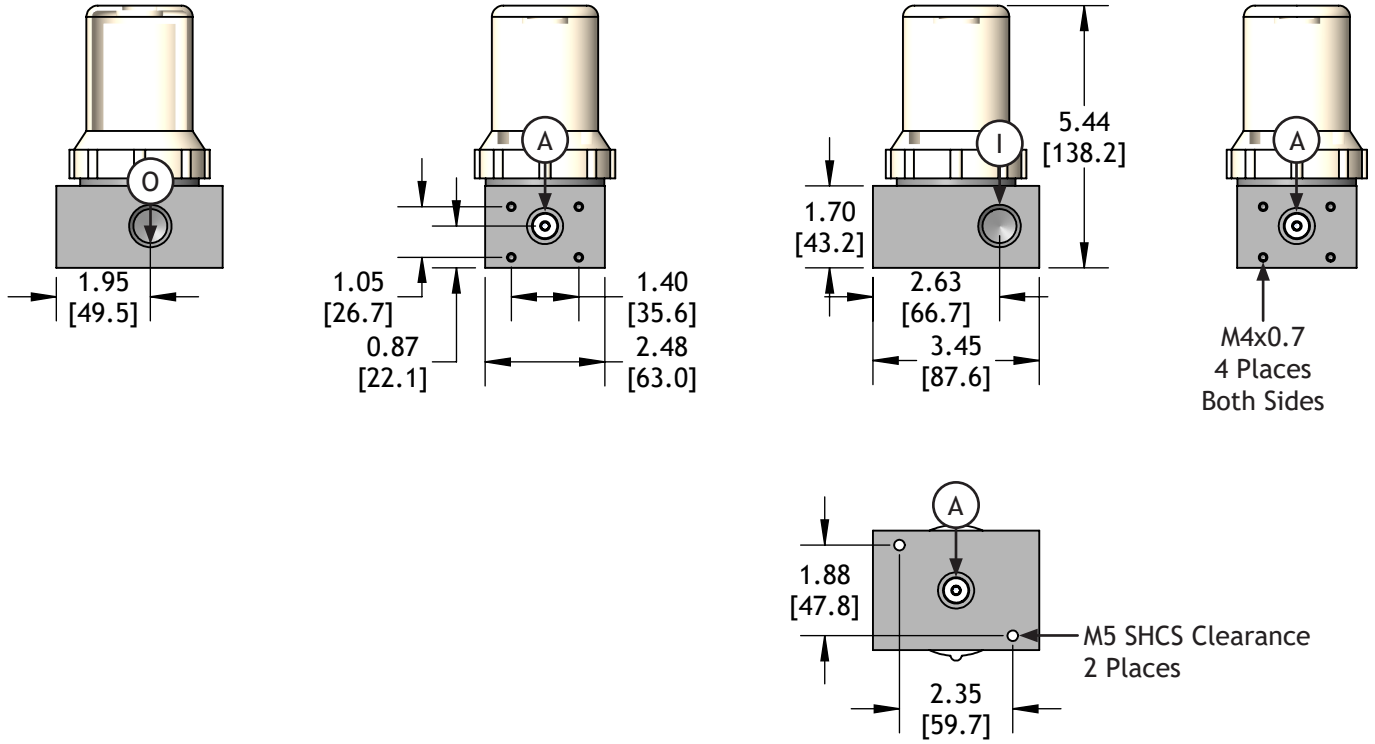


Aluminum Base Filters

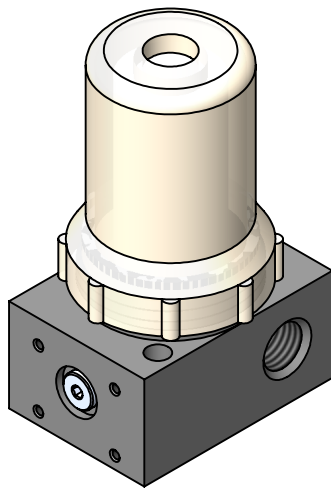
Aluminum Base Filter w/ 1/2" & 3/4" Ports

| Size | | Threads | |
|------|------------|---------|-------------|
| ASF | 500 | X35 | |
| 500 | 1/2" Ports | (Blank) | NPT Threads |
| 750 | 3/4" Ports | -G | G Threads |

Replacement Filter Elements: PPX35RE3

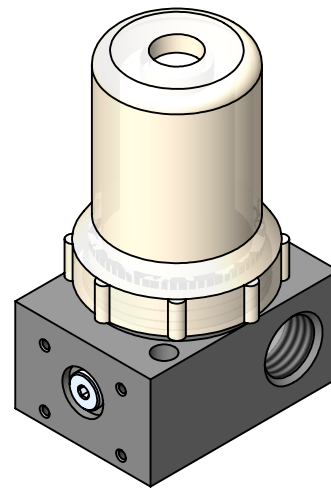


ASF500X35



Weight: 25.70 oz [728.6 g]

ASF750X35



Weight: 24.38 oz [691.1 g]

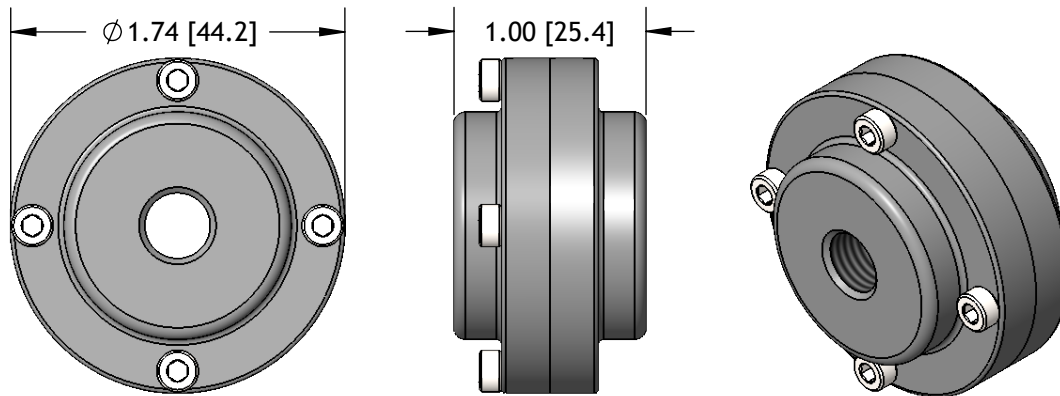
| Code | Function | ASF500X35 | ASF500X35-G | ASF75X35 | ASF75X35-G |
|------|---------------------|------------|-------------|----------|------------|
| I | Flow In | 1/2 NPTF | G 1/2 | 3/4 NPTF | G 3/4 |
| O | Flow Out | 1/2 NPTF | G 1/2 | 3/4 NPTF | G 3/4 |
| A | Auxiliary / Monitor | G 1/8 NPSF | | | |

F10-18F: In-Line Filter

The rugged F10-18F in-line filter is designed to carry the full load of 50 mm and smaller vacuum cups. The in-line filter is ideal for use with Flow Sensor or Tri-Flow Valves in extremely dusty environments such as woodworking shops. The F10-18F provides more than 10 times the surface area of a standard FSV filter disk, providing a longer life. A quick-release (blow-off) may be used to momentarily back-flow the filters to help keep them clean.

Construction: anodized aluminum body, polyethylene element, and stainless steel fasteners

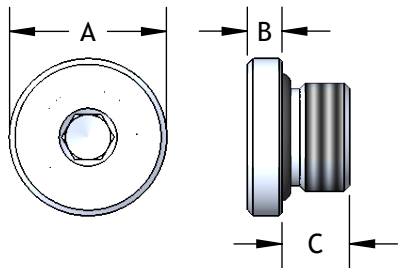
Replacement Filter Disk: FD-116



Weight: 0.14 lb [61.3 g]

Pipe Plugs

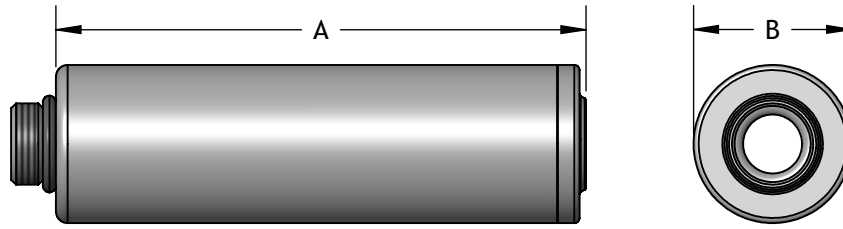
All pipe plugs are nickel plated aluminum with a Nitrile o-ring seal.



| Part Number | Fits Threads | A in [mm] | B in [mm] | C in [mm] | Hex Wrench | Weight oz [g] |
|-------------|-------------------------|--------------|--------------|--------------|------------|------------------|
| P10 | M5x0.8 10-32 UNF | 0.31 [7.9] | 0.07 [1.8] | 0.12 [3.0] | 2 mm | 0.01 [0.3] |
| P18 | 1/8-27 NPSF G 1/8-28 | 0.47 [12.0] | 0.12 [3.0] | 0.24 [6.0] | 4 mm | 0.07 [2.0] |
| P14 | 1/4-18 NPT G 1/4-19 | 0.56 [14.0] | 0.08 [2.0] | 0.26 [6.6] | 6 mm | 0.10 [2.9] |
| P38 | 3/8-18 NPSF G 3/8-19 | 0.71 [18.0] | 0.12 [3.0] | 0.27 [6.9] | 5 mm | 0.18 [5.2] |
| P12 | 1/2-14 NPSF G 1/2-14 | 0.95 [24.0] | 0.12 [3.0] | 0.43 [11.0] | 10 mm | 0.98 [28.0] |

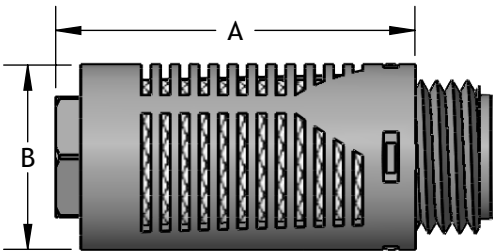
Silencers

Straight Thru Silencers (ST)



| Part Number | Threads | A in [mm] | B in [mm] | Weight oz [g] |
|-------------|-----------|--------------|--------------|------------------|
| STA18M | G 1/8 NPS | 2.65 [67.3] | 0.74 [18.8] | 0.25 [7.1] |
| STA14M | G 1/4 NPT | 2.65 [67.3] | 0.74 [18.8] | 0.25 [7.1] |
| STB38M | G 3/8 NPT | 4.14 [105.2] | 1.24 [31.5] | 0.74 [21.0] |
| STB12M | G 1/2 NPS | 4.14 [105.2] | 1.24 [31.5] | 0.78 [22.1] |
| STC12M | G 1/2 NPS | 4.12 [104.6] | 1.48 [37.6] | 1.09 [30.9] |
| STC34M | G 3/4 NPT | 4.12 [104.6] | 1.48 [37.6] | 1.16 [32.9] |
| STC10M | G 1 NPT | 4.12 [104.6] | 1.48 [37.6] | 1.31 [37.1] |
| STC12M-6 | G 1/2 NPS | 6.00 [152.4] | 1.48 [37.6] | 1.59 [45.1] |
| STC34M-6 | G 3/4 NPT | 6.00 [152.4] | 1.48 [37.6] | 1.66 [47.1] |
| STC10M-6 | G 1 NPT | 6.00 [152.4] | 1.48 [37.6] | 1.76 [49.9] |

Side Discharge Silencers (AA)



| Part Number | Threads | A in [mm] | B in [mm] | Weight oz [g] |
|-------------|---------|--------------|--------------|------------------|
| AA18M | 1/8 NPT | 1.18 [30.1] | 0.60 [15.2] | 0.11 [3.1] |
| AA14M | 1/4 NPT | 1.18 [30.1] | 0.60 [15.2] | 0.14 [4.0] |
| AA38M | 3/8 NPT | 1.87 [47.5] | 0.96 [24.3] | 0.21 [6.0] |
| AA12M | 1/2 NPT | 1.87 [47.5] | 0.96 [24.3] | 0.46 [13.0] |