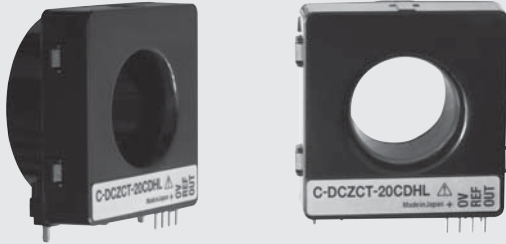


RoHS compliant



FEATURES

- Small DC current's measurements: DC1 mA~200 mA
- High accuracy: $\pm 1\% \text{FS} \pm 20 \text{ mV}$
- Least influence of magnetization:
Less than DC1 mA in current level
- Convenient Single Supply (+5 V)
- Reference voltage (Vref) terminal is equipped.

APPLICATIONS

- For the detection of earth fault or leakage current on Solar power generator etc.
- For the detection of earth fault or leakage current of transformer less PV power conditioner
- For the detection of earth fault or leakage and charge current of the battery

SPECIFICATIONS

Part Number	C-DCZCT-20CDHL
Max. Input Current	DC10 A
Measuring Range	DC1 mA ~ ± 200 mA
Hole Diameter	$\phi 20$ mm (Through hole type)
Phase Accuracy	DC 10 mV/1 mA ~ DC 2000 mV/200 mA
Accuracy	$\pm 1\% \text{ F.S} \pm 20 \text{ mV}$ (DC5 V) , (23 ± 5 , less than 85 %RH)
Output Response	Less than 100 ms
Power Supply Voltage	DC 5 V $\pm 5\%$, 6 V DC 5 V $\pm 5\%$ (Max DC6 V)
Applicable Frequency	DC only
Current Consumption	Less than 30 mA (DC5 V)
Dimension	42.7 (W) \times 42.4 (H) \times 21.9 (D) mm
Weight	Approx.27 g
Option	Exclusive use bus bar

PART NUMBER DESIGNATION

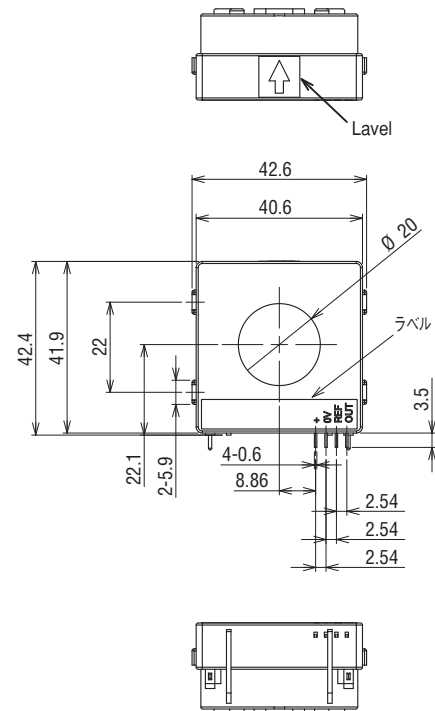
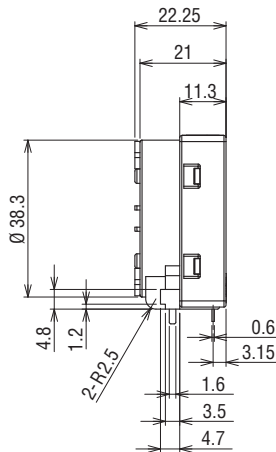
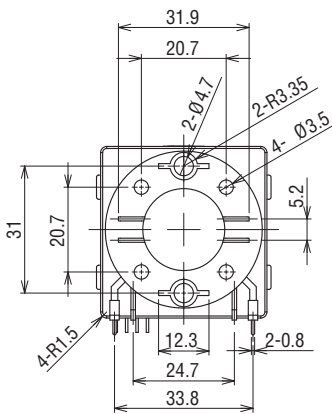
C - DCZCT- 20CDHL

Series Name

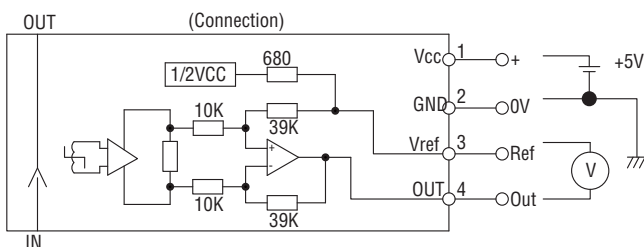
Hole Diameter
φ 20 mm

OUTLINE DIMENSIONS

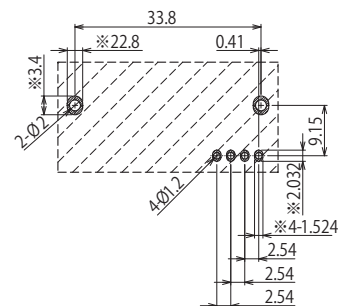
Unless otherwise specified, tolerance : ± 0.3 (Unit : mm)



CIRCUIT CONNECTION



P.C.B. DIMENSIONS



note 1) ※: Land patterns

note 2) P.C.B.wiring is conform to IPC2221/2222.

PACKAGING SPECIFICATIONS

● Bulk Packing specifications

Individually packaged in a plastic bag (1pcs. per bag), it can order from 1pcs.